

MATERIALS:

1. BASE - 5/8 THICK PLYWOOD.
2. SIDES AND HINGE MOUNT - 3/4 THICK PINE.
3. GUIDES - 1/8 THICK PINE.
4. PLATE - 1/32 THICK SHEET METAL.

REVISIONS			
ZONE	REV	DESCRIPTION	DATE

DEPTH OF NOTCH APPROPRIATE FOR HINGE
SO PLATE IS FLUSH WITH BASE.

D

D

C

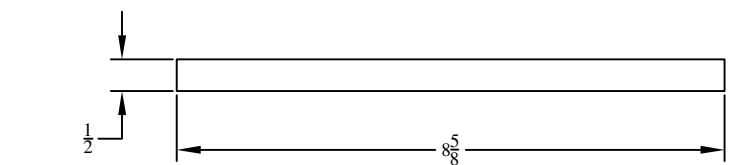
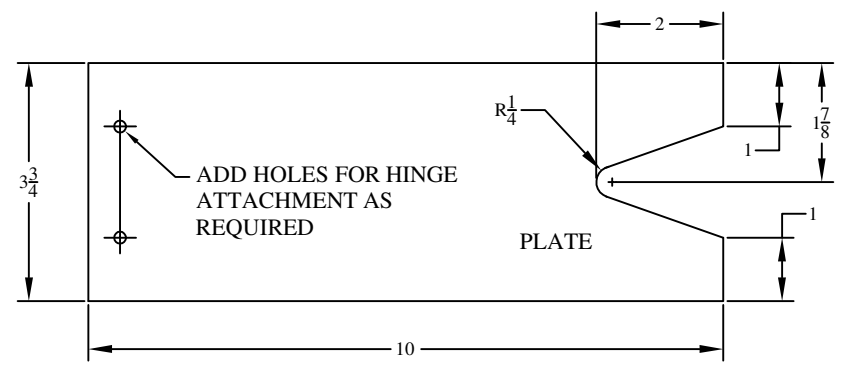
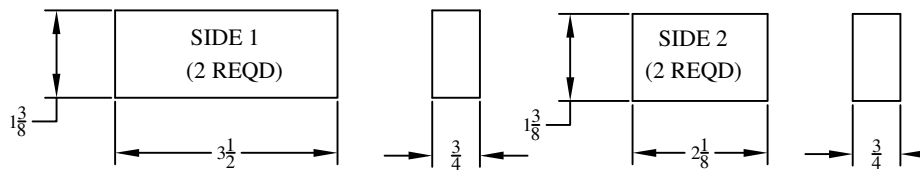
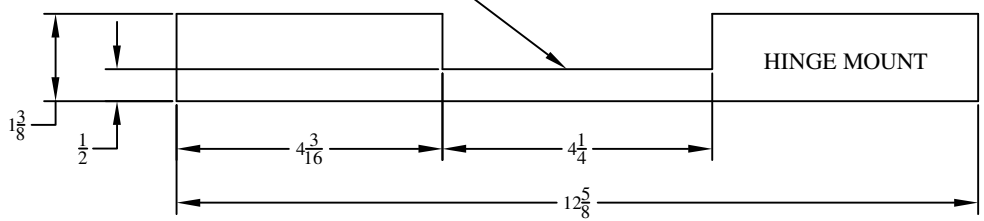
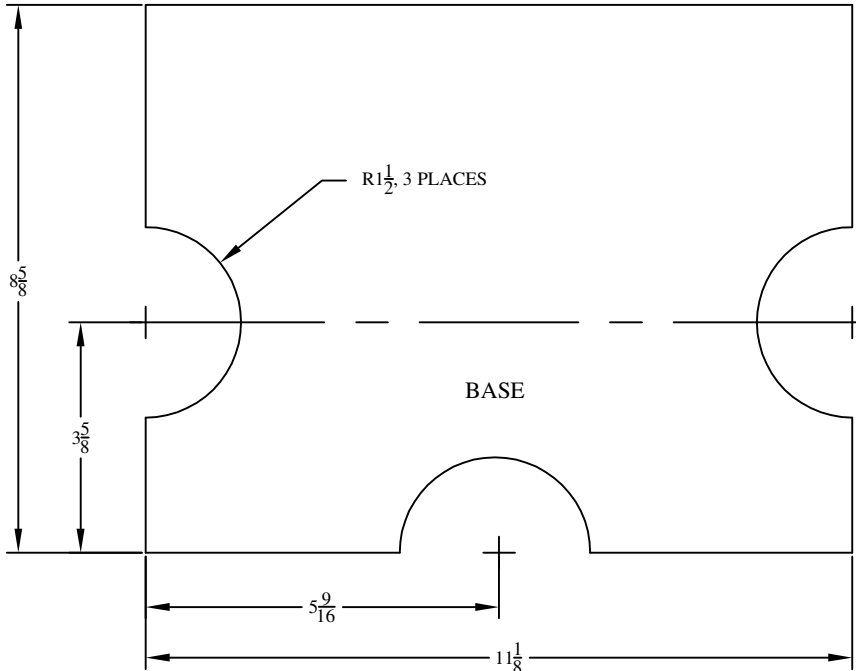
C

B

B

A

A



GUIDE (2 REQUIRED)

This information is circulated as a service to interested persons: no liability is accepted by RCRV in relation to its safety or applicability in individual cases or in relation to its installation or adaption for which appropriate medical, engineering or other professional services ought to be obtained. Permission is hereby given to reproduce this information sheet, drawing or notes. Please give RCRV and the sponsoring organization credit for any information drawings or notes that are disseminated. RCRV is a voluntary organization which provides assistance to disabled people utilizing the capabilities of retired technical volunteers, professional engineers, technicians and tradesmen.

autoCADIt 2000

COPYRIGHT © 2001 RCRV

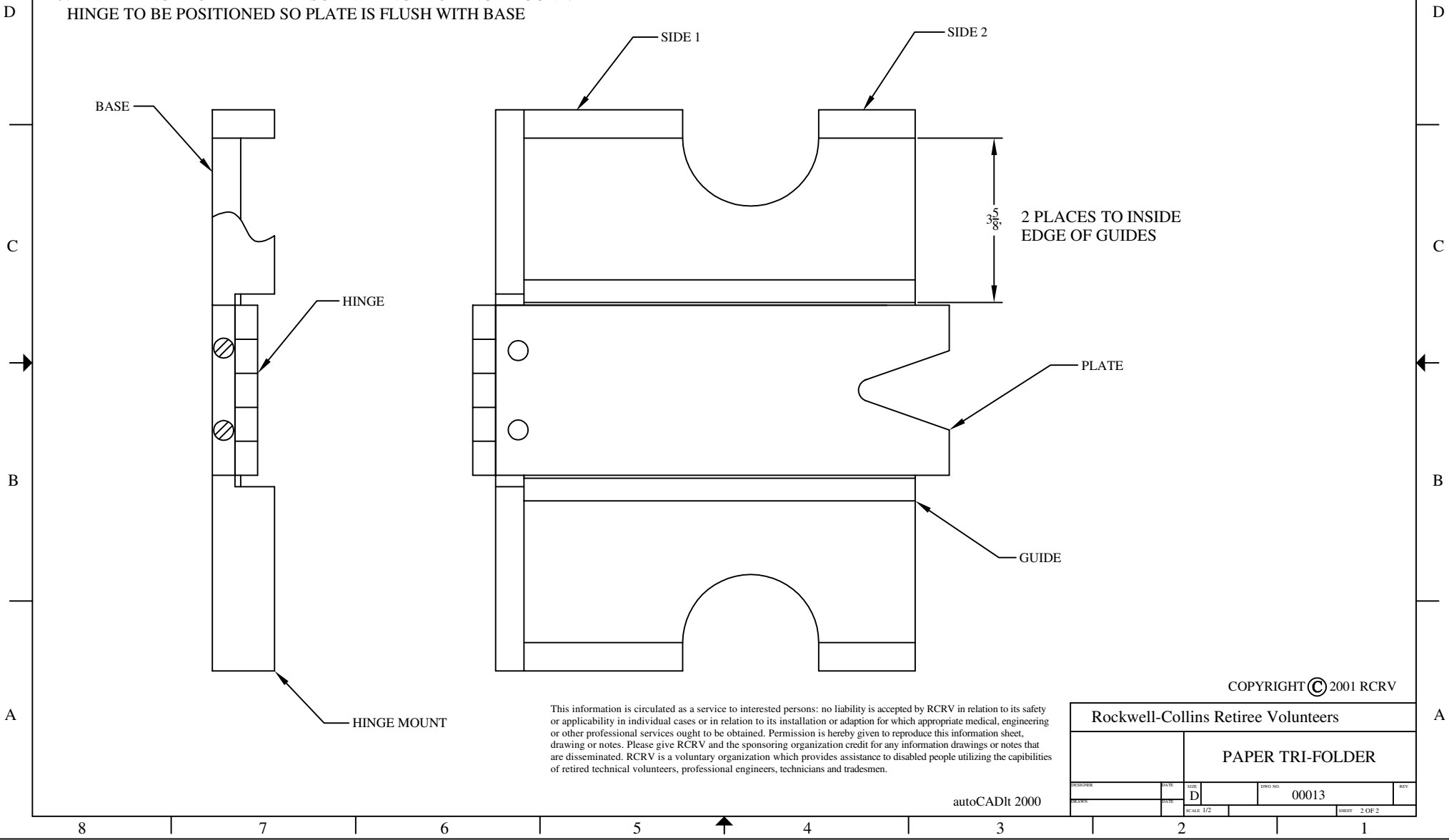
Rockwell-Collins Retiree Volunteers			
PAPER TRI-FOLDER			
REVISION	DATE	SCALE	REV
		D	
			00013
		SCALE 1/2	SHEET 1 OF 2

8 | 7 | 6 | 5 | 4 | 3 | 2 | 1

NOTES:

1. NAIL AND SCREW ALL SIDES TO BASE AS SHOWN.
2. NAIL GUIDES TO BASE.
3. RIVET HINGE TO PLATE AND SCREW HINGE TO HINGE MOUNT.
HINGE TO BE POSITIONED SO PLATE IS FLUSH WITH BASE

REVISIONS				
ZONE	REV	DESCRIPTION	DATE	APPROVED



This information is circulated as a service to interested persons: no liability is accepted by RCRV in relation to its safety or applicability in individual cases or in relation to its installation or adaption for which appropriate medical, engineering or other professional services ought to be obtained. Permission is hereby given to reproduce this information sheet, drawing or notes. Please give RCRV and the sponsoring organization credit for any information drawings or notes that are disseminated. RCRV is a voluntary organization which provides assistance to disabled people utilizing the capabilities of retired technical volunteers, professional engineers, technicians and tradesmen.

autoCADIt 2000

COPYRIGHT © 2001 RCRV

Rockwell-Collins Retiree Volunteers				
PAPER TRI-FOLDER				
DESIGNER	DATE	SIZE	DWG. NO.	REV.
		D	00013	
DRAWN	DATE	SCALE	SHEET 2 OF 2	
		1/2		